

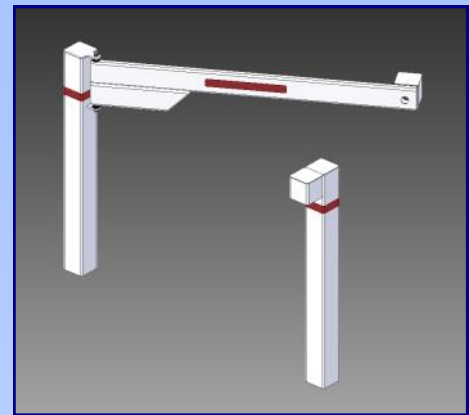
Remote Area Driveway Gate

The **Remote Area Driveway Gate** is designed to provide an extremely robust, manually operated gate solution to preventing unauthorised access to roadways and laneways in remote areas. Often in these locations a low profile gate is required to blend in with the natural surroundings, while at the same time offering a superior level of security and vandalism resistance.

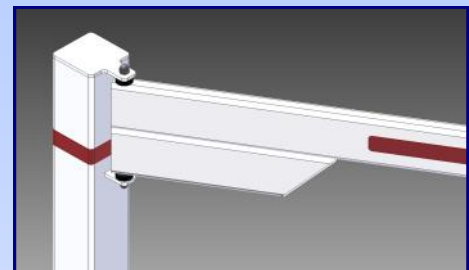
This product is ideal for use in national parks and nature reserves, on low-use public roads, and entrance roads to quarries and mine sites—anywhere where public access must be restricted with a robust, and low maintenance manual gate solution.

Product Features:

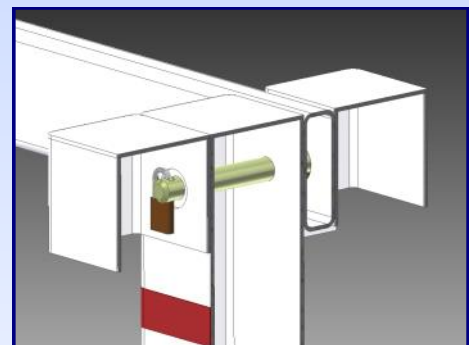
- Rugged, Robust, Reliable.
- Available in driveway openings ranging from 2-metres to 6-metres.
- Heavy duty polymer hinge to avoid seizing—Does not need lubrication or maintenance.
- All components zinc plated for optimal corrosion resistance.
- Padlock sharing at locking end—Can accommodate two different padlocks for access by different users e.g. sites owner and emergency services.
- Red reflective banding for night-time visibility.
- Hot Dip Galvanised for superior corrosion protection.



Remote Area Driveway Gate — Open Position

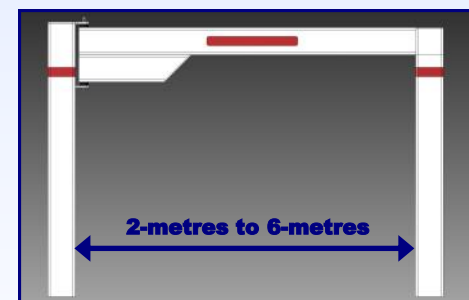


Heavy Duty Polymer Hinge Arrangement



Padlock Sharing at Locking End

Product Specifications	
Description	Remote Area Driveway Gate
Material	Grade 250 Mild Steel
Corrosion Protection	Hot Dip Galvanised
Decorative Finish	Powdercoat to customer colour selection
Opening Width	To customer order—from 2m to 6m
Height	750mm above ground, 750mm below ground
Shipping Weight	Approx 115 Kg for 2-metre opening



Opening Width to Customer Order



CONTACT

Phone: (08) 6305 0511
Fax: (08) 9246 9963
Email: ask-us@accesstechnologies.com.au
Web: www.accesstechnologies.com.au

