

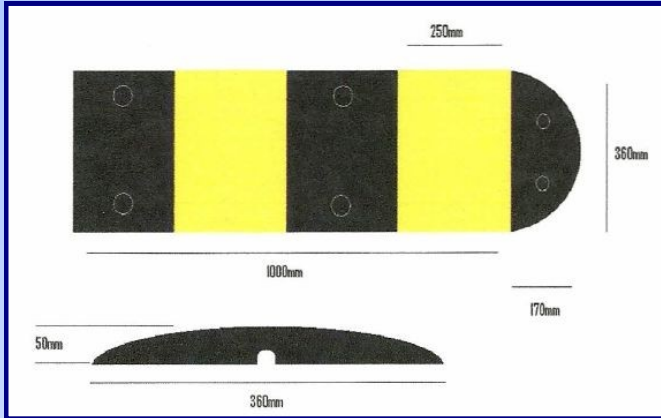


SPEED HUMPS



By Access Technologies

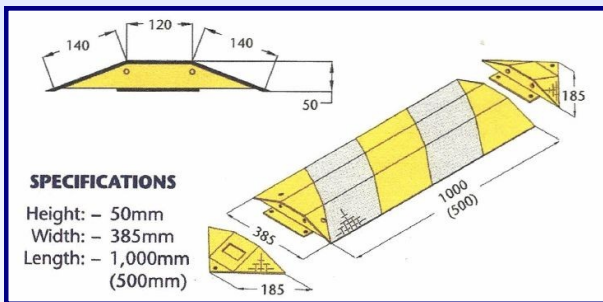
360mm Standard Rubber Speed Humps



This **Rubber Speed Hump** offers a low-cost solution in installations where traffic flows are not excessive. This is a modular system that can be supplied to any required length, with end caps supplied to suit the required layout. These speed humps offer particularly smooth and silent operation, and are recommended for use around residential apartments, hospitals, and schools.

Our rubber speed humps can be supplied in any pattern of yellow or black modules, and are UV stabilized to ensure many years of trouble free operation.

385mm Standard Steel Speed Humps



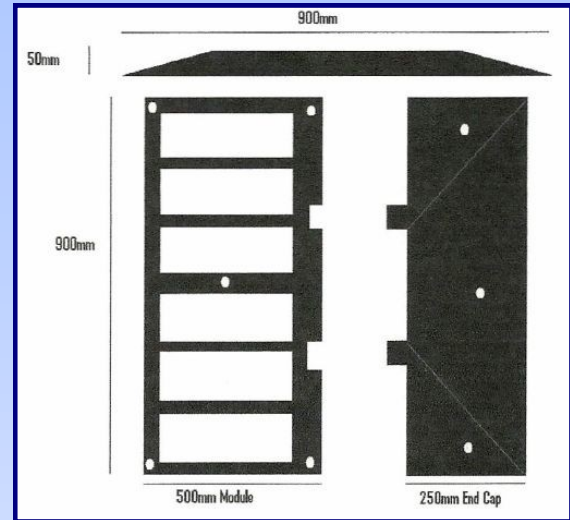
SPECIFICATIONS

Height: - 50mm
Width: - 385mm
Length: - 1,000mm
(500mm)

Steel Speed Humps are designed for higher traffic flows, and our designs minimize noise and 'rattle'. They have a built-in cable protector design to accommodate pipes and cables where this feature is required.

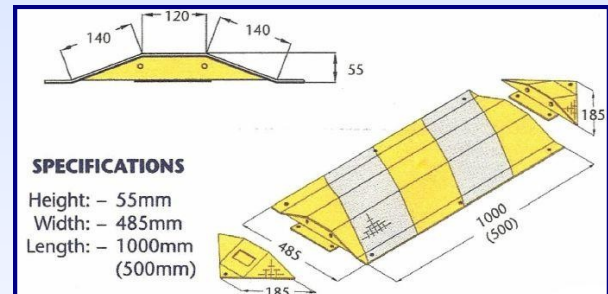
Black and yellow safety striping ensures excellent visibility under all conditions.

900mm Rubber Speed Reducer Humps



This is a 900mm wide **Rubber Speed Hump** specifically for the purpose of reducing vehicle speed rather than bringing vehicles to a complete stop. This has the effect of reducing fleet fuel consumption over a standard speed hump, as well as reducing noise from vehicle acceleration.

485mm Heavy-Duty Steel Speed Humps



SPECIFICATIONS

Height: - 55mm
Width: - 485mm
Length: - 1000mm
(500mm)

Heavy-Duty Steel Speed Humps are the preferred choice for industrial premises and warehouses, where there are high traffic flows and commercial vehicles. These humps are suitable for use with trucks and other heavy-vehicles (including 'B-doubles'). This speed hump system is modular in design, and comes fully zinc plated and painted for many years of trouble free service.

CONTACT:

Phone: (08) 9246 9923
Fax: (08) 9246 9963
Email: ask-us@accesstechnologies.com.au
Web: www.accesstechnologies.com.au
www.speed-humps.net.au

